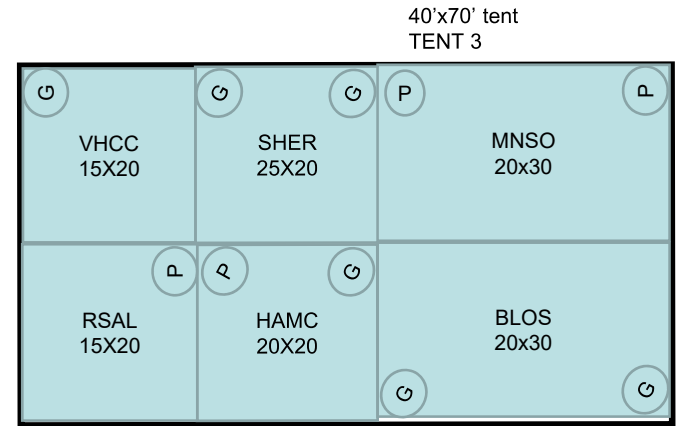
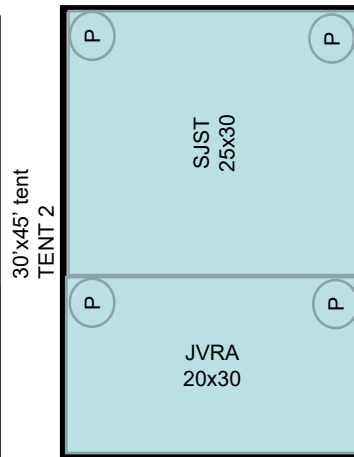
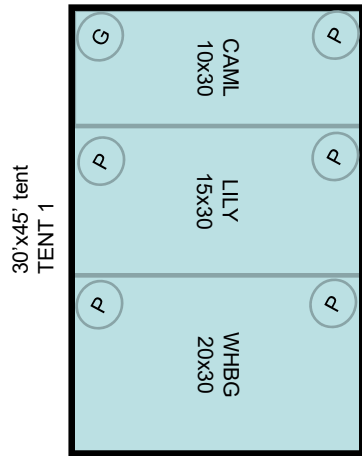
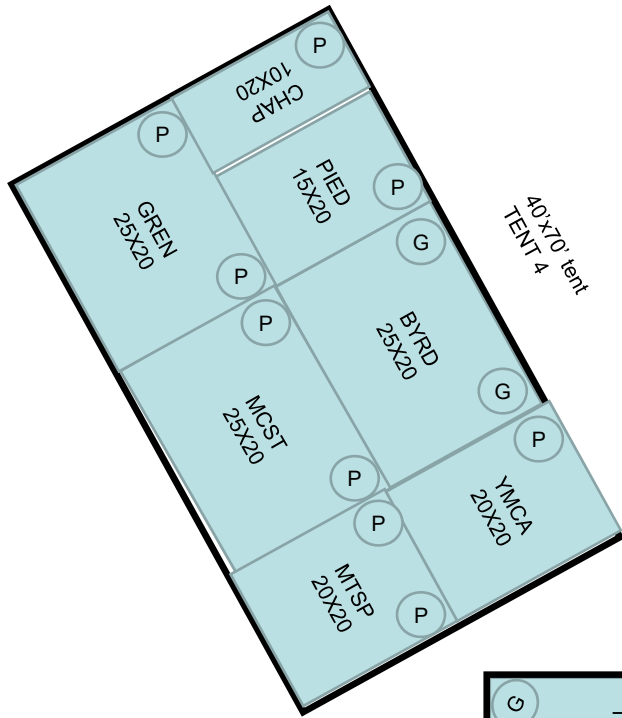
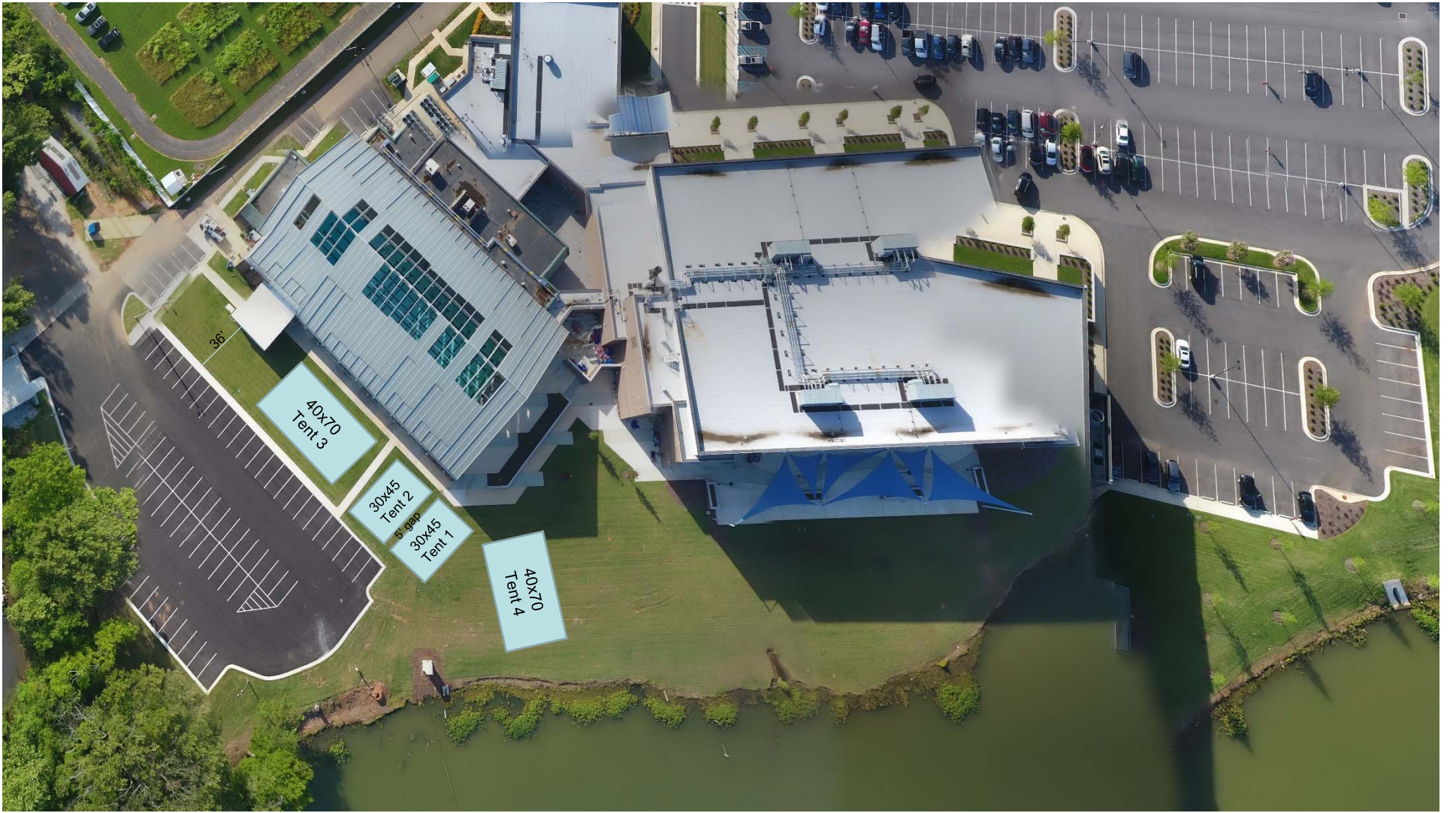


See Arial Drawing for placement of Tents 3 and 4



RCSL Use for Clerk of Course





40x70  
Tent 3

30x45  
Tent 2

30x45  
Tent 1

40x70  
Tent 4

36